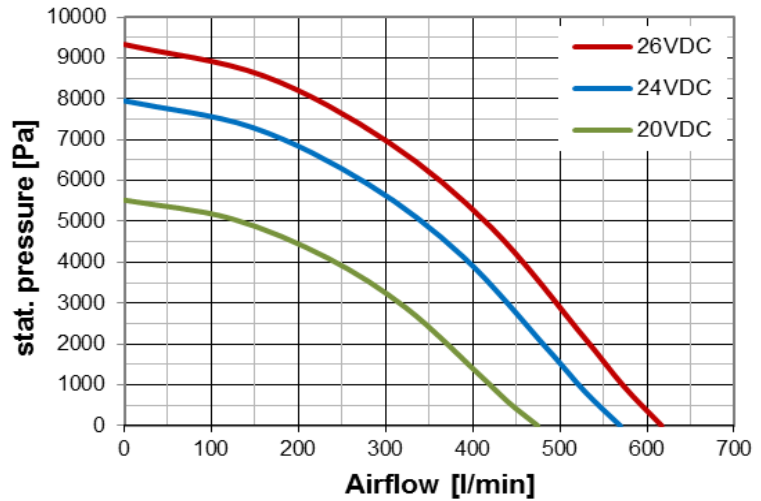
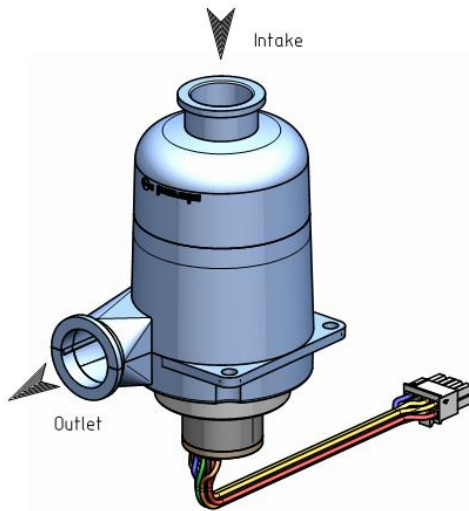
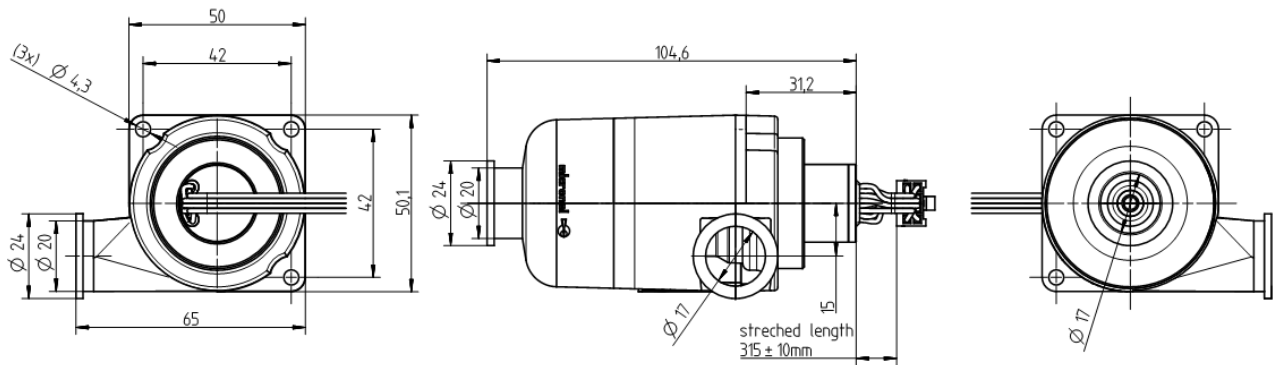


Miniatur Radial Gebläse ohne integrierter Elektronik
Miniature Radial Blower without integrated electronic



with NTC sensor, connector have 10 pins



Direction of rotation CCW



Technische Daten

Allgemeine Beschreibung

Kompakter Lüfter mit effizientem Motor. Eigenschaften: Material: Gehäuse: PC, Flügelrad: PA. Bürstenloser 3-Phasen Motor ohne integrierter Treiber Elektronik.

Technical data

General description

Compact blower with an efficient motor. Features: Material: housing: PC, impeller: PA. Brushless 3-Phase motor without integrated driver electronic.

		U51D2-024KX-6 / U51D4-024KX-6
U_N	VDC	24
U	VDC	12.0-26.0
I_N freeblowing	mA	3'100
I_N typ. work. point	mA	3'000
I_N static	mA	1'400
P_N typ. work. point	W	75
n freeblowing	min ⁻¹	47'400
n typ. work. point	min ⁻¹	47'500
n static	min ⁻¹	49'300
V freeblowing	l/min	570
V typ. work. point	l/min	300
p work. point	Pa	5'700
p static	Pa	8'000
$LpA_{(WP)}$	dB(A)	70 dB(A) at 1'000 Pa (10 mbar) and 1m distance
T	°C	-20...+60
m	gr	350
Leads	mm	315 (AWG24)
Housing material		PC
Impeller material		PA6
Sleeve Bearing		N/A
Ball Bearing		•
Tacho		•
Speed control SP		N/A

Data's at Density: 1.2kg/m³

Operating Instruction and Warning

U51D2-024KX-6 / U51D4-024KX-6

Electrical connection

U51D2-024KX-6

Connector type: MOLEX 43025-0800

AWG	PIN	Description	Colour
24	1	Hall sensor 1	Blue
24	2	Hall sensor 2	Black
24	3	Vhall 4.5...18VDC	Yellow
24	4	Motorwinding 3	Orange
24	5	Hall sensor 3	Grey
24	6	GND	Green
24	7	Motorwinding 1	Brown
24	8	Motorwinding 2	Red

U51D4-024KX-6 NTC

Connector type: MOLEX 43025-1000

AWG	PIN	Description	Colour
24	1	Hall sensor 1	Blue
24	2	Hall sensor 2	Black
24	3	Vhall 4.5...18VDC	Yellow
24	4	Motorwinding 3	Orange
24	5	NTC sensor	White
24	6	Hall sensor 3	Grey
24	7	GND	Green
24	8	Motorwinding 1	Brown
24	9	Motorwinding 2	Red
24	10	NTC sensor	White

Blower limits during continuous operation and warning



- Max. allowed temperature on motor surface: 85° C
- Maximum speed 50'000 1/min
- Handle only in currentless condition

Power supply requirement

Ripple voltage < 5%
4000 mA

Info

**Specifications are subject to change without notice.
Specifications on this Datasheet are for reference.**

Version: 13.05.2014 RA

Doc: U51D2-024KX-6 without integrated electronics.doc